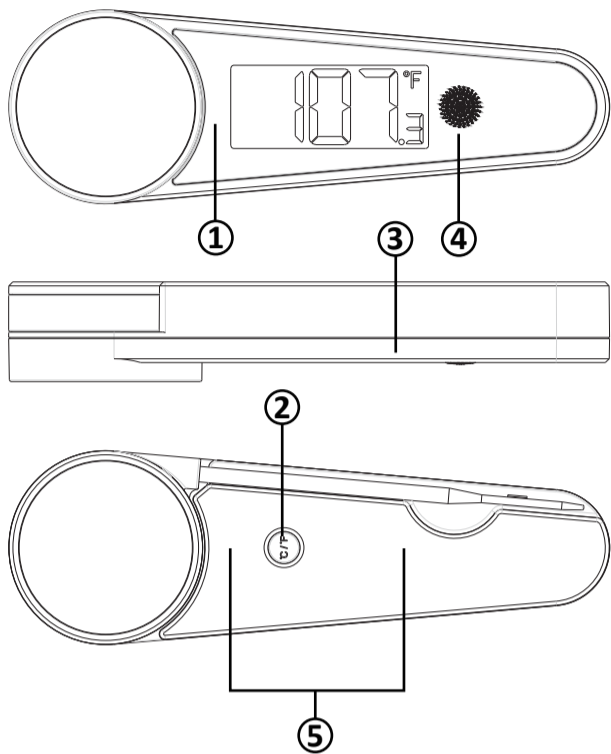


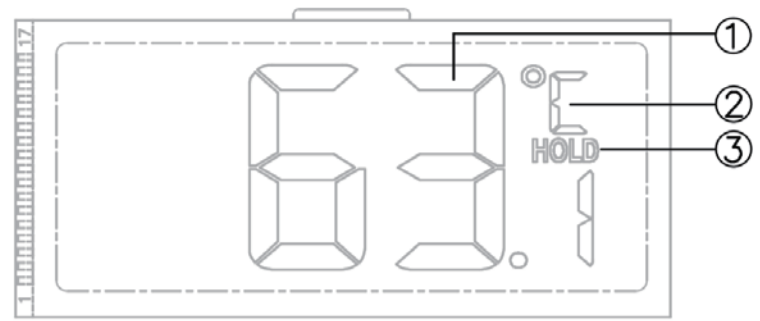
MAVERICK®

Model # DYNT-01 Dynamo Temp Instant Read Food Thermometer Instructions

OVERVIEW



1. Display Screen
2. "°C/°F" Button
3. Meat Probe
4. "HOLD" Button
5. Magnets



LCD Display Instructions

1. Temperature display
2. Temperature scale displayed C or F
3. Displayed when HOLD button is pressed

Congratulations on your purchase of our model # DYNT -01 Dynamo Temp Instant Read Food Thermometer. Your new unit has an innovative patent pending design that does not require a battery. Opening the probe powers the unit by spinning a small internal dynamo.

Powering the unit

Gently open the meat probe to full open position. The LCD will turn on displaying the air temperature. You can insert the probe tip into your food and the unit will display the food temperature. Opening the meat probe once should give you a minimum 40 seconds of power and up to 4 minutes. If you need more time gently close the probe and open it up again. Now you should have up to 9 minutes of power as you opened the probe twice. Note: You will hear the internal gears spinning when moving the probe.

Button Operation

*Press the [HOLD] button to lock the display on current temperature. Press it again to release.

back size:240x180mm

*Press the [°F/°C] button to switch between Fahrenheit and Celsius temperature scales.

Temperature Range: -58 °F to 392 °F (-50 °C to 200 °C)

The display will show LL.L if the temperature is below range or HH.H if it is above the range.

Temperature Accuracy +/- 1.8 °F (+/- 1 °C)

Temperature Resolution .1 °F /°C

Water Resistant to IP54

The unit can be used in air temperature range of 14 °F to 122 °F

Opening the probe to full open position can charge the unit up to 4 minutes.

Warning

Meat Probe acceptable temperature range: -58~392°F (-50°C ~ +200 °C)

The Meat Probe should always be inserted into the center of the item which is being cooked for an accurate temperature.

The Stainless-steel probe and wires will get hot. Always wear heat-resistant gloves when handling.

Do not use probe in a microwave oven or exposed to flames or temperatures exceeding 392°F (200°C).

Not intended for children under 12 years old.

Care

Wipe the probe clean after each use.

When done using the thermometer wipe the stainless-steel probe with hot soapy sponge and dry thoroughly.

Do not immerse the probe in water while cleaning.

Wipe the thermometer base with a damp cloth. Do not use immerse in water.

To avoid damage, do not use cleaning agents or abrasive cleaners.

Maverick Limited 1 Year Warranty

MAVERICK INDUSTRIES, INC. warrants this MAVERICK product to be free from defects in material and workmanship for a period of 1 year. Should any defects be discovered within 1 year of date of purchase, MAVERICK INDUSTRIES, INC. will repair the defective product or parts thereof at no charge for labor or materials provided:

1. Said unit is returned postage paid to the factory for servicing.
2. Proof of purchase is included with the product
3. A letter accompanies the product and indicated the complaint or defect to be remedied.

In the event the defect may be remedied without returning the unit, contact MAVERICK by phone or mail first and every effort will be made to supply replacement parts quickly and at no charge.

This warranty does not apply to commercial use or to any unit that has been tampered with, abused, accidentally damaged or to damage incurred through improper packing or mishandling in transit to or from the factory.

This warranty gives you specific legal rights, and you may also have other rights which vary from state to state.

ATTENTION: Customer Service Department

Phone: 732-417-9666 (Weekdays 8:00 a.m. to 5 p.m. Eastern Standard Time)

MAVERICK®

Maverick Industries, Inc.

94 Mayfield Ave.

Edison, NJ 08837

maverickthermometers.com

Made in China for and distributed

exclusively by: Maverick Industries