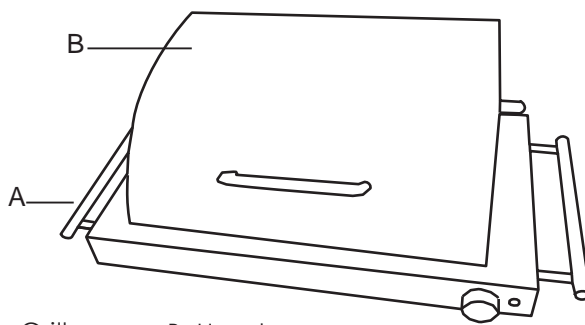


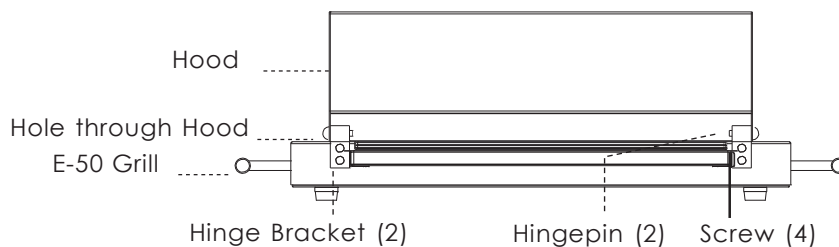
Hood Accessory # EA-160
For model E-50 Electric Char-B-Que
Assembly Guide



A: E-50 Glass Grill B: Hood

This stainless steel hinged hood allows use of the E-50 Grill in colder, windy climates. It attaches with hinge brackets and hinge pins that you will affix to the rear of the E-50 grill. Later, you can remove the hood at any time by removing the hinge pins. Use the E-50 grill only according to the instructions supplied in the User Manual that accompanies the product.

General Assembly Drawing



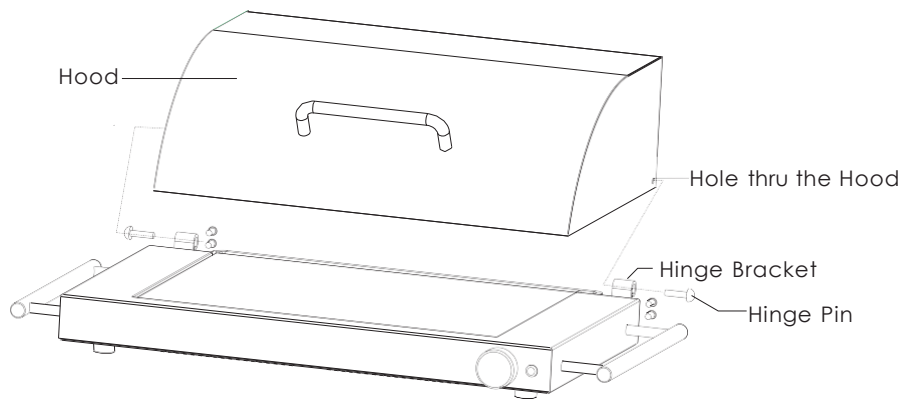
Assembly Steps

step 1. Install the 2 hinge brackets on the rear of the E-50 grill, left and right side. Loosen the existing 4 screws, position the hinge brackets and reinsert and tighten the 4 screws securely.



step 2. Position the hood into place on the grill.

step 3. Insert the 2 hinge pins through the mounting holes in the hood and on through the hinge bracket.



step 4. use 2 locking cotter pins to secure the hinge pins in place, by pushing through the hole in the end of the hinge pin and bending them slightly so they will not easily fall out.

